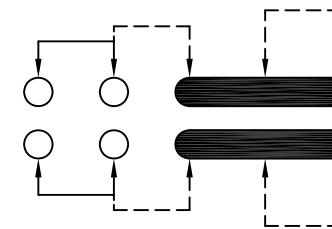
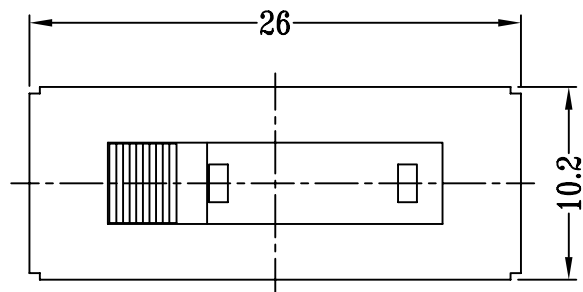
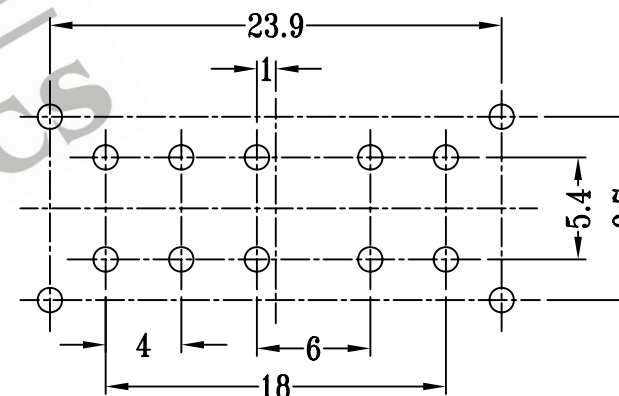
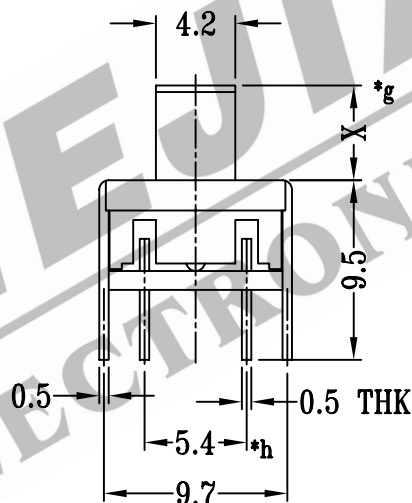
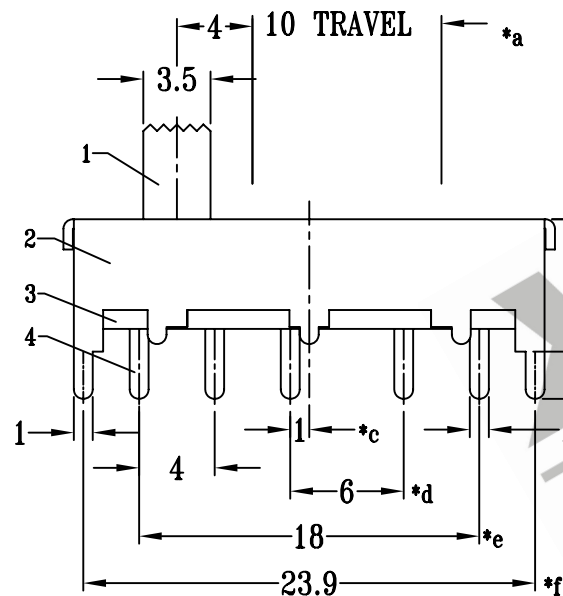


CAD FILE:



SCHEMATIC (SHORTING)



P.C.B LAYOUT

注：“\*”表示关键尺寸（8个）

NO.	PART NAME	MATERIAL	Q'TY	FINISHING	TOLERANCE UNLESS SPECIFIED	SHENZHEN XIEJIA ELECTRONICS CO.,LTD.					
8						ISSUE		DATE	DESCRIPTIONS	APPD.	
7	STEEL BALL	STEEL	1	NATURAL	WITHIN: 1.5±0.1mm	TITLE : VERTICAL SLIDE SWITCH		UNIT : MM	DRWG NO.: XJ-DR-SS23R01-00		
6	SPRING	STEEL WIRE	1	TEMPER	OVER : 1.5±0.2mm	MODEL: SS-23R01		SCALE: 5:2	DWN.	ZHOUYU	2002-7-16
5	CONTACT CLIP	PBS STRIP	2	Ag PLATED					CHK'D	FANGYING	2002-7-16
4	TERMINAL	BRASS STRIP	10	Ag PLATED OVER Ni PLATED		ALL MATERIALS MUST BE COMPLIANT TO ROHS			APPD.	KANGXINAN	2002-7-16
3	BASE	PHENOLIC RESIN	1	NATURAL							
2	FRAME	STEEL STRIP	1	Ni PLATED							
1	KNOB	POM	1	BLACK							